

Precaution

Please read these instructions carefully before use.

- Do not attempt to disassemble or modify the product.
- Keep the product away from external shocks or vibrations.
- Do not use with damaged or peeled cables.
- Do not use the unit outdoors.
- Product specifications and features are subject to change without notice.

Warranty Information

- Free warranty service
 - In the case of a defect is found caused by the design or a production flaw while using the device properly, the manufacturer is responsible for the faulty product and the free warranty service for 1 year from the date of purchasing.
 - Even in the warranty service period, malfunction or damage of products caused by an inevitable accident such as a natural disaster is not subject of the free warranty service.
- Warranty service at a cost
 - The free warranty service period for the product has expired.
 - Malfunction of the product caused by a user's fault.
 - Malfunction of the product caused by accidents.
 - Malfunction of the product caused by a natural disaster such as earthquake, flood, lightning & etc.
 - In the case of the warranty service at a cost, the customer should cover the transportation costs.
- Examples of a user's fault
 - In the case of attempts to disassemble or modify the device.
 - In the case of not following the instructions on this manual
- Please read these operating instructions & Q&A board on our website carefully before asking for the warranty service.

Supplied components

- iSO-CAT7 Unit
- LAN cable
- Operating Instruction

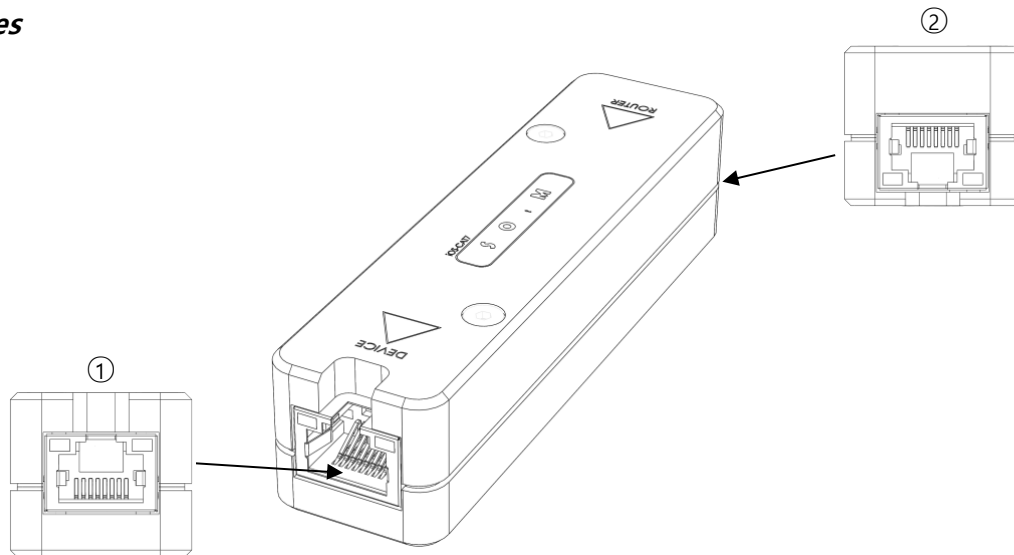


Ultimate High Performance Audio

Product Specifications

- Isolator specification
 - Fully shielded modular jack
 - 10GBast-T compatible isolation transformer
- Others
 - Ultra high-end audio grade sound tuning
 - No external power supply needed
- Supplied LAN cables for iSO-CAT7 Special Edition
 - Black cable: It brings the highest resolution and dynamic sound among the 3 LAN cables
 - Grey cable: It brings sound a character in between the black and dark grey cables
 - Dark grey cable: It brings a mild and comfortable sound
- Operating environment
 - Operating temperature: 0 ~ 40°C
 - Storage temperature: -10 ~ +50°C
 - Operating & storage humidity: 10% ~ 90%

Product outlines



① DEVICE Jack: Connect to a sub network device such as a network player, network server, NAS or PC by a supplied LAN cable or high-end audio cable such as dCBL-CAT7u or dCBL-CAT7e.

② ROUTER Jack: Connect to a router or network hub by LAN cable.

Note: The iSO-CAT7 supports 10GBase-T speed, but the speed may change depending on the connected device or cable.

Note: Another LAN cable can be connected to the DEVICE Jack other than the supplied LAN cable.

How to install

- Precautions before installations

- Be sure to read the installation instructions before installing the product.
- Be sure to turn off power of all products before installing the product.

- Example of installations

