

Precaution

Please read these instructions carefully before use.

- Do not attempt to disassemble or modify the product.
- Keep the product away from external shocks or vibrations.
- Do not use damaged or peeled cables.
- Do not use the product outdoors.
- Product specifications and features are subject to change without notice.

Warranty Information

- Free warranty service
 - In the case that a defect is found which is caused by a design or production flaw while using the device properly, the manufacturer is responsible for the faulty product and there is free warranty service for 1 year from the date of purchasing.
 - Even during the warranty service period, malfunction or damage of products caused by inevitable incidents such as a natural disaster is not subject to the free warranty service.
- Warranty service at a cost
 - The free warranty service period is expired.
 - Malfunction of the product caused by a user's fault.
 - Malfunction of the product caused by incidents.
 - Malfunction of the product caused by a natural disaster such as earthquake, flood, lightning, etc.
 - In case of the warranty service at a cost, the customer should cover the shipping costs.
- Examples of a user's fault
 - In case of attempts to disassemble or modify the device.
 - In case of not following the instructions in this manual.
- Please read these operating instructions and Q&A board on our website carefully before asking for the warranty service.

Supplied components

- An sCLK-OCX10 unit
- Operating instruction

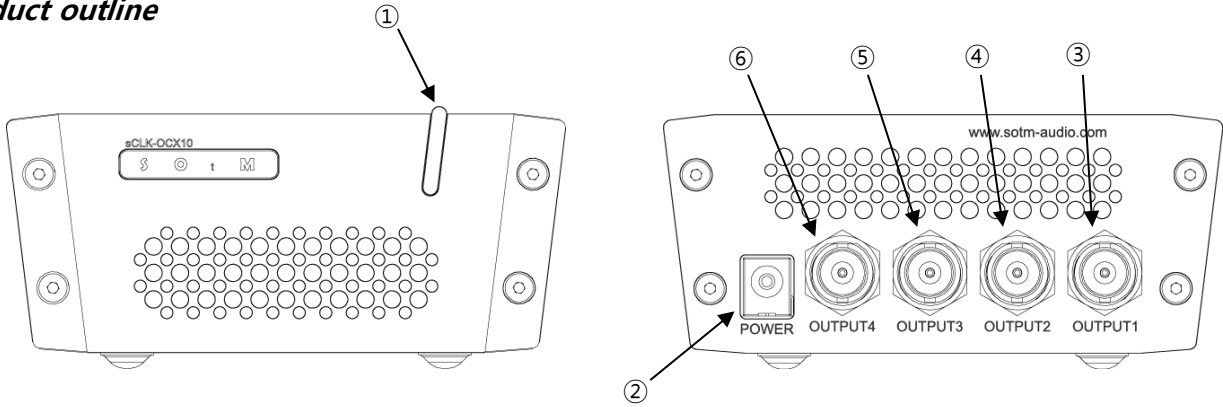


Ultimate High Performance Audio

Specifications

- User interface
 - Operating indicator LED x1
- Output clock signal
 - Frequency : 10.000MHz sine wave
 - Output level : 13dBm(2.825Vp-p@50Ω), ±2dBm
 - All isolated clock output
 - Output connector
 - 50Ω BNC connector x 4
 - Optional 75Ω BNC connector available
- Typical Phase noise(dB/Hz) of internal OSC
 - 10Hz : -140 >
 - 100Hz : -160 >
 - 1KHz : -165 >
 - 10KHz : -165 >
 - 100KHz : -165 >
- Temperature stability(0 to +50°C, Ref : 25°C,) $\pm 2E-9$
- DC power input
 - Input voltage : 12Vdc
 - Voltage tolerance: -0.05Vdc, +0.5Vdc
 - Input current : 2A max
 - 5.5mm OD, 2.1mm ID adaptor jack
- Operating environment
 - Operating temperature : +10 ~ +30°C
 - Storage temperature : 0 ~ +40°C
 - Operating & storage humidity : 10% ~ 90%
- Dimension
 - 106 x 48 x 245(mm)
- Weight
 - 1.5Kg >

Product outline



- ① Power indicating LED lamp
 - ② DC Power input jack : 12V power is required. (jack size : 5.5mm OD, 2.1mm ID).
 - ③ 10MHz output connector 1 : Connect 10MHz clock signal to a device by a 50Ω or 75Ω BNC cable.
 - ④ 10MHz output connector 2 : Connect 10MHz clock signal to a device by a 50Ω or 75Ω BNC cable.
 - ⑤ 10MHz output connector 3 : Connect 10MHz clock signal to a device by a 50Ω or 75Ω BNC cable..
 - ⑥ 10MHz output connector 4 : Connect 10MHz clock signal to a device by a 50Ω or 75Ω BNC cable..
- Cf : A white 10MHz output connector means 75Ω, and a black connector means 50Ω.

Precautions

- When connecting BNC cables, power off the devices which will be connected and the sCLK-OCX10

Product user guide

- Turn off the sCLK-OCX10 and all devices which will be connected to the sCLK-OCX10 to make the 10MHz clock signal connection by BNC cables.
- Connect the correct power supply for the sCLK-OCX10(12V, 2A) to the DC Power input jack of the sCLK-OCX10.
- Turn on the power supply, and the power indicating LED lamp of sCLK-OCX10 will be on and start operating.
- Turn on all connected devices to use the sCLK-OCX10.

