

Precaution

Please read these instructions carefully before use.

- Do not attempt to disassemble or modify the product.
- Keep the product away from external shocks or vibrations.
- Do not use damaged or peeled cables.
- Do not use the product outdoors.
- Product specifications and features are subject to change without notice.

Warranty Information

- Free warranty service
 - In the case that a defect is found which is caused by a design or the production flaw while using the device properly, the manufacturer is responsible for the faulty product and there is free warranty service for 1 year from the date of purchasing.
 - Even during the warranty service period, malfunction or damage of products caused by inevitable incidents such as a natural disaster is not subject to the free warranty service.
- Warranty service at a cost
 - The free warranty service period is expired.
 - Malfunction of the product caused by a user's fault.
 - Malfunction of the product caused by incidents.
 - Malfunction of the product caused by a natural disaster such as earthquake, flood, lightning & etc.
 - In case of the warranty service at a cost, the customer should cover the shipping costs.
- Examples of a user's fault
 - In case of attempts to disassemble or modify the device.
 - In case of not following the instructions in this manual.
- Please read these operating instructions and Q&A board on our website carefully before asking for warranty service.

Supplied components

- A sNH-10G unit
- Operating instruction

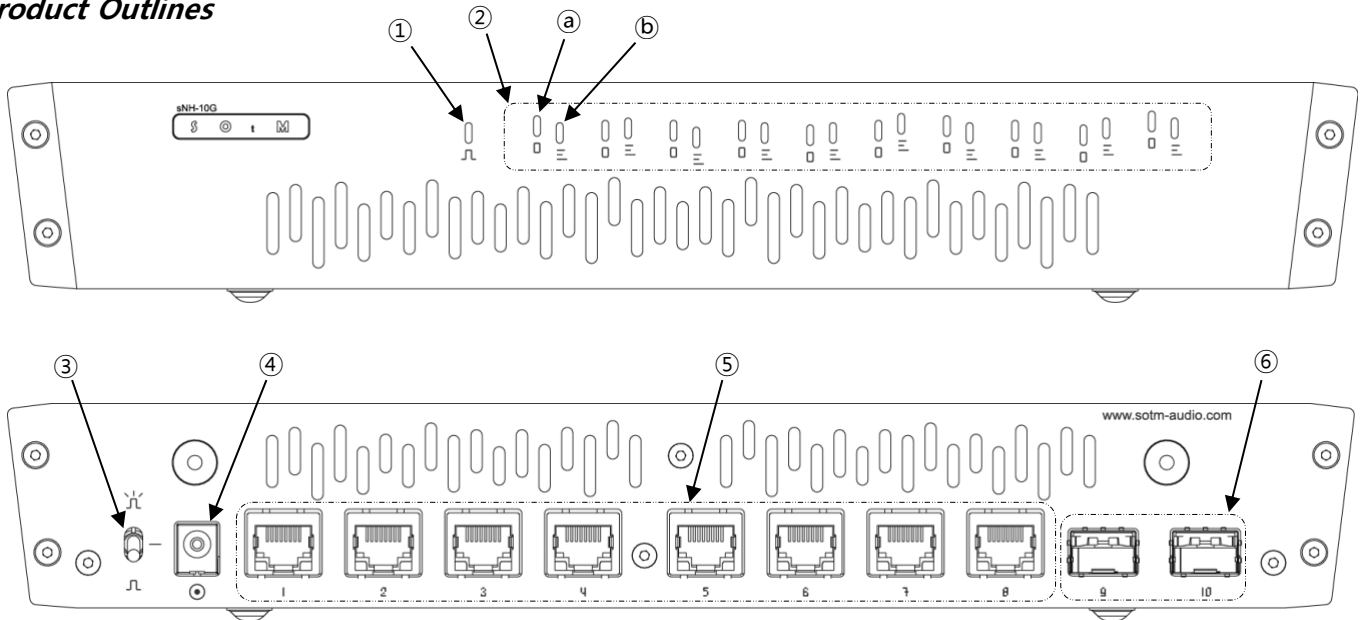


Ultimate High Performance Audio

Specification

- User interface
 - Power indicator LED x 1
 - Link indicator Front LED x 10, Rear LED x 8
 - Active indicator Front dual Color LED x10, Rear LED x 8
 - Power switch : Power off, Power on with LED or without LED
- Network
 - Supported Standards
 - IEEE 802.3 10Base-T Ethernet
 - IEEE 802.3u 100Base-TX Fast Ethernet
 - IEEE 802.3u 100Base-FX 100Mbps over fiber optic
 - IEEE 802.3ab 1000Base-T Gigabit Ethernet
 - IEEE 802.3z 1000Base-X 1 Gbps over fiber optic
 - IEEE 802.3x flow control and backpressure
 - Full-duplex and half-duplex operation
 - Supports 9216 byte jumbo packet length
 - Connector
 - RJ-45 ports x 8
 - SFP ports x 2
 - Optional audio grade clock
 - sCLK-EX with 10MHz Master clock input
- DC power input
 - Input voltage : 9Vdc
 - Optional 12Vdc when installing sCLK-EX
 - Optional 6.5Vdc ~ 8.5Vdc when installing sCLK-EX
 - Voltage tolerance: $\pm 10\%$
 - Input current : 2A max
 - 5.5mm OD, 2.1mm ID adaptor jack
- Operating environment
 - Operating temperature : +10 ~ +30°C
 - Storage temperature : 0 ~ +40°C
 - Operating & storage humidity : 10% ~ 90%
- Dimension
 - 296 x 211 x 50(mm)
- Weight
 - 2 Kg >

Product Outlines



- ① A power indicator LED lamp.
- ② The operation indicator LED lamps indicate the operation status of the LAN port 1 to LAN port 10 from left to right.
 - Ⓐ Link & Active LED (Green) : Light according to the connection status and operation status of the LAN ports.
 - Ⓑ 100M/1G connections (Red orange/ Amber yellow) : Light in Red orange when connecting 100M, in Amber yellow when connecting 1G.
- ③ A 3 steps power on/off switch. Depending on each position of the switch, it works as follows
 - Upper position : Power on and light the LED lamps.
 - Middle position : Power off.
 - Lower position : Power on.
- ④ A DC power input connector.
- ⑤ The LAN port 1 to LAN port 8 from left to right.
- ⑥ The SFP port 9 and SFP port 10 are SFP port that is able to connect with optical cables. The connections can be made with SFP modules and optical cables.

Precautions

- When connecting cables, power off the devices which will be connected to the sNH-10G.
- The sNH-10G does not have network management functions like IP allocation, fixed IP, or etc, so it should be used with a router or a device which has network management functions like the example below.

An example of connections

